

Aug. 3, 1954

F. N. MEYERS

2,685,220

SAXOPHONE

Filed Nov. 24, 1950

3 Sheets-Sheet 1

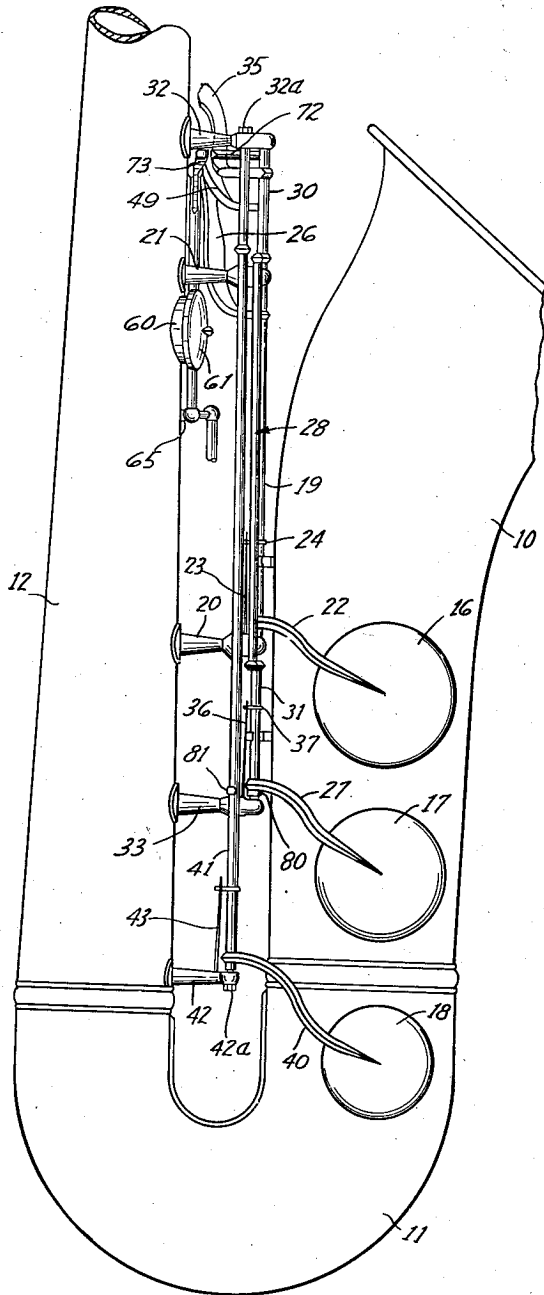


Fig. 1

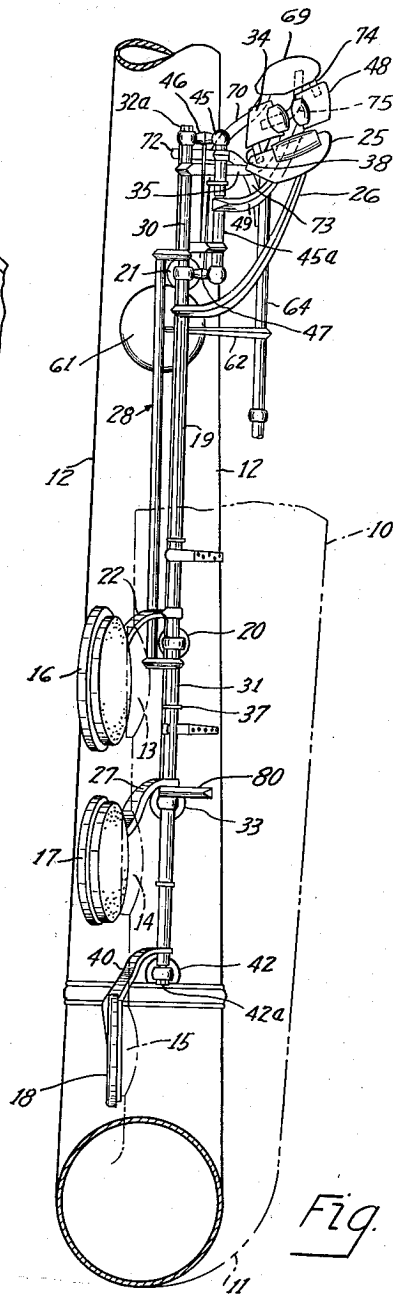


Fig. 2

INVENTOR.
FRED N. MEYERS
BY
[Signature]
ATTORNEY.